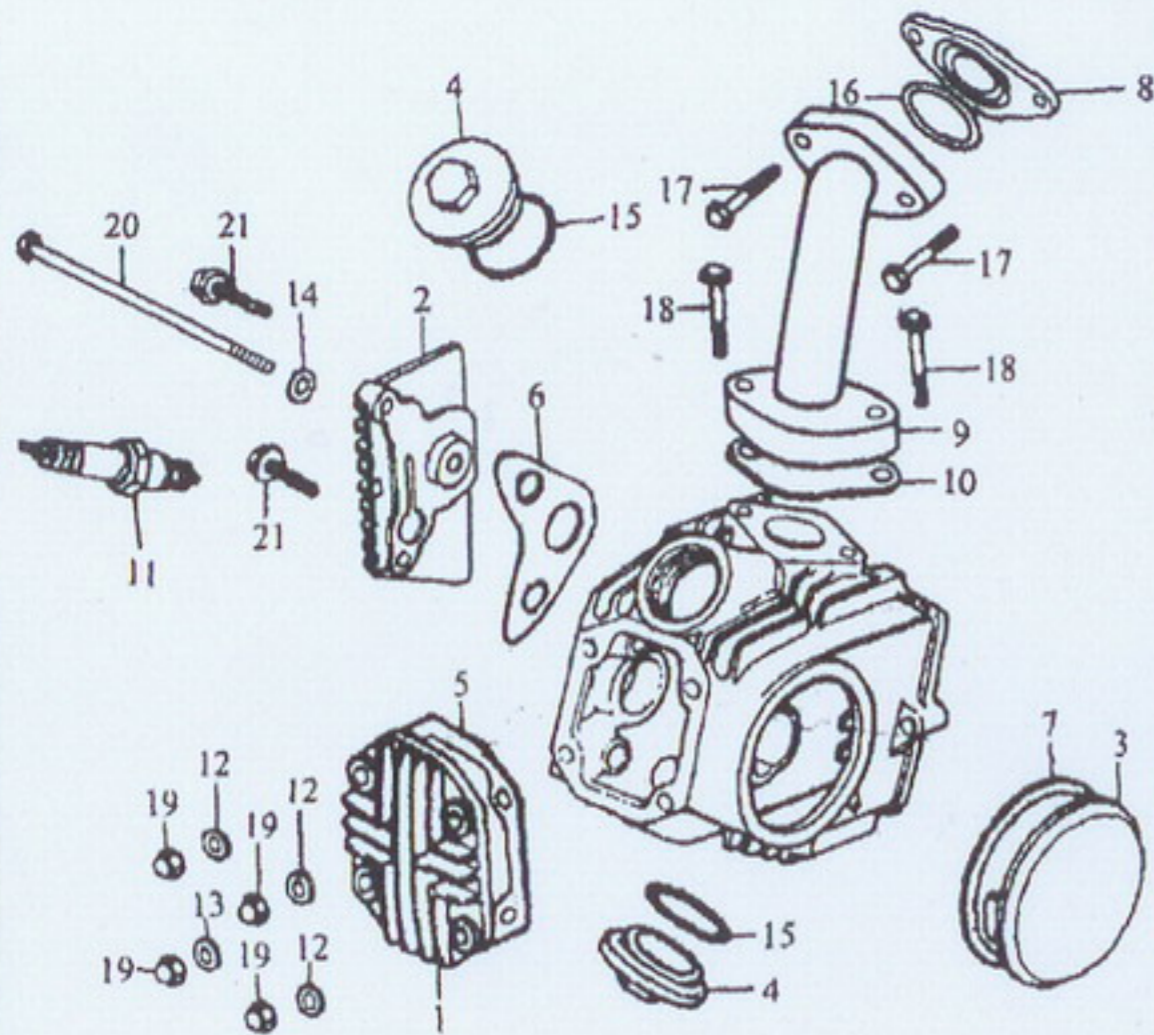


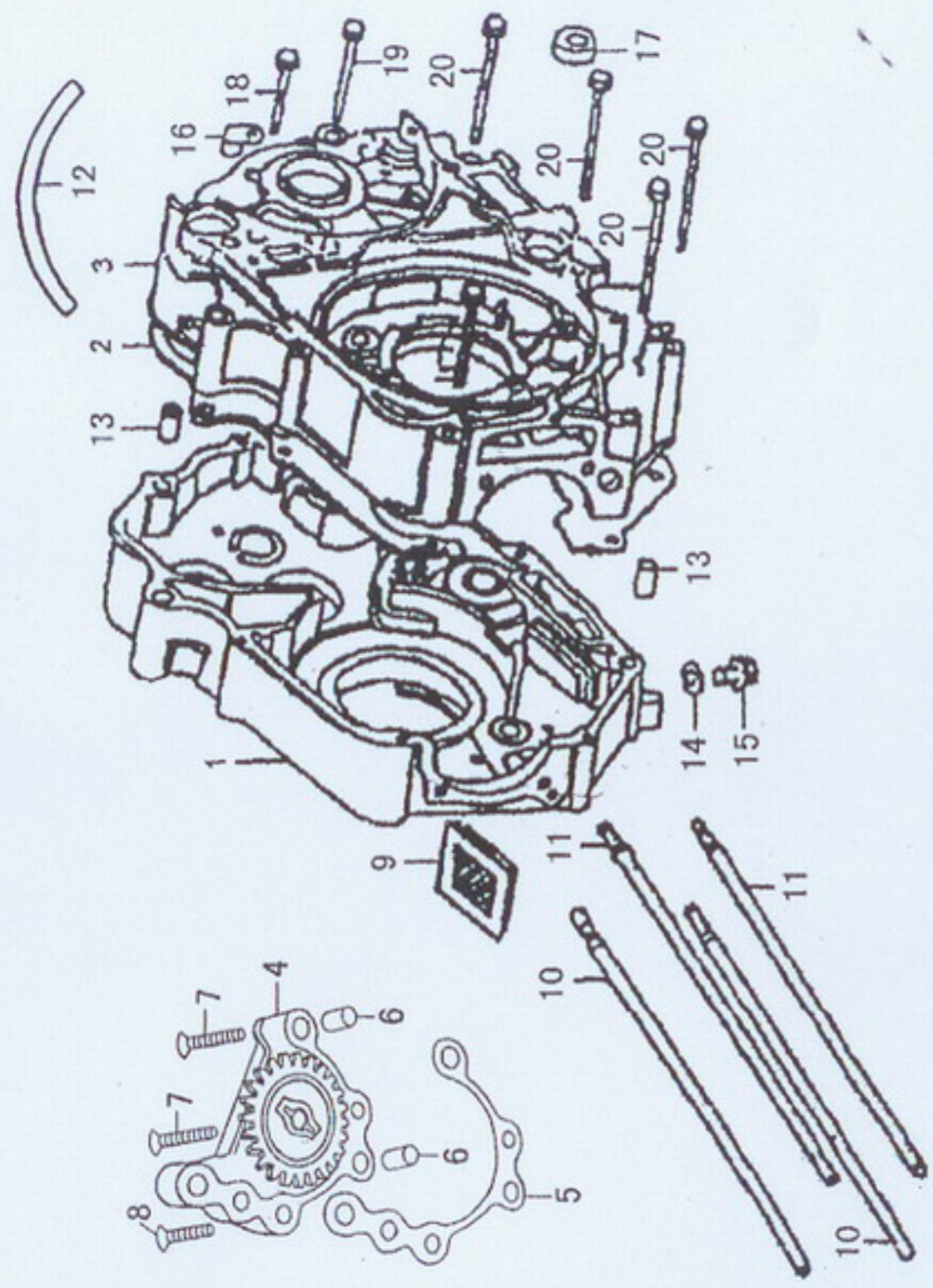
目 录

1. E-1 Cylinder head/Cylinder 气缸头/气缸体	1
2. E-2 Cylinder head cover/Inlet tube 气缸头盖/进气管	2
3. E-3 Crankcase/Oil pump 曲轴箱/机油泵	3
4. E-4 Camshaft/Air valve 凸轮轴/气门	4
5. E-5 Cam chain/Tightening device 凸轮链条/张紧器	5
6. E-6 Right crankcase cover 右曲轴箱盖	6
7. E-7 Clutch 离合器	7
8. E-8 Magneto/Starting motor 磁电机/起动电机	8
9. E-9 Starting clutch 起动离合器	9
10. E-10 Left crankcase cover 左曲轴箱盖	10
11. E-11 Starting device 起动装置	11
12. E-12 Crankshaft/Piston 曲轴/活塞	12
13. E-13 Transmission device 主副轴	13
14. E-14 Gearshift setup 变速机构	14

E-2 CYLINDER HEAD COVER/INLET TUBE 气缸头盖/进气管



REF. NO.	PART NO.	名称	DESCRIPTION	Q'TY
1	C120.12106	气缸头顶盖	Cylinder cover	1
2	C100S.12110	气缸头右盖	Cylinder R. cover	1
3	100.12108-2	气缸头左盖72	Cylinder L. cover	1
4	100.12112	气门盖	Valve cover	2
5	C120.12107	气缸头顶盖密封垫	Gasket, cylinder cover	1
6	100.12111	气缸头右盖密封垫	Gasket, cylinder R. cover	1
7	100.12109-2	气缸头左盖密封垫72	Gasket, cylinder L. cover	1
8	C125.12006	隔热密封垫	Carburetor gasket	1
9	110.12003	进气管	Inlet piece	1
10	110.12020	进气管密封垫	Inlet piece gasket	1
11	GB7825	火花塞	Spark plug	1
12	100.12010-2	垫圈7×12.5×2	Washer 7×12.5×2	3
13	100.12011-2	铜垫圈7×12.5×2	Washer 7×12.5×2	1
14	100.12009	铝垫圈6.5×13×1.5	Washer 6.5×13×1.5	1
15	100.12113	O型密封圈30×3	O-ring 30×3	2
16	C125.12004	O型密封圈29×2.5	O-ring 29×2.5	1
17	GB5787	螺栓(连接进气管与化油器)	Bolt	2
18	GB5787	螺栓(连接进气管与缸头)	Bolt	2
19	100.12007-2	盖形螺母M7	Nut M7	4
20	100.12008	螺栓M6×110	bolt M6×110	1
21	GB5787	螺栓M6×20	Bolt	2

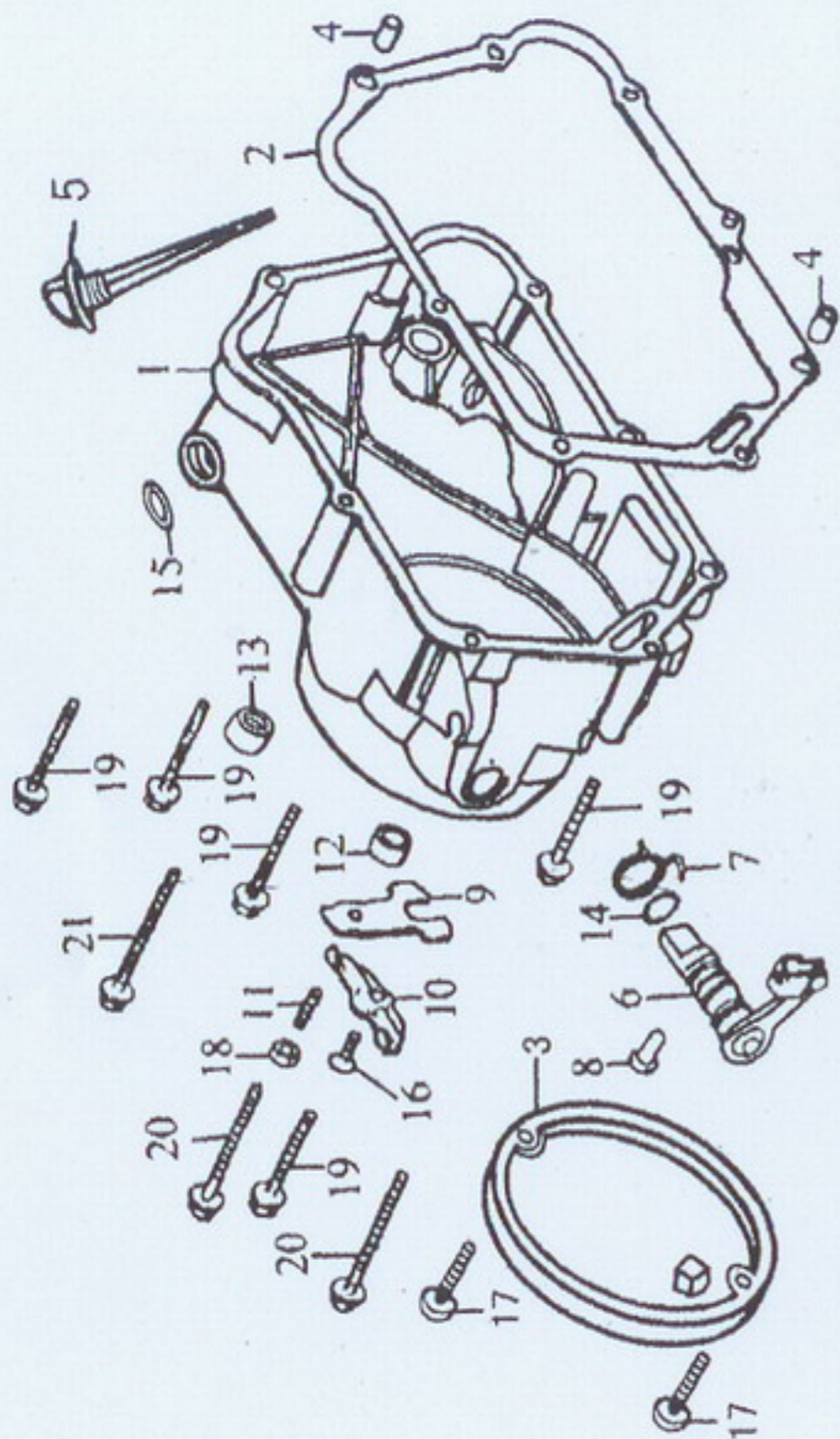


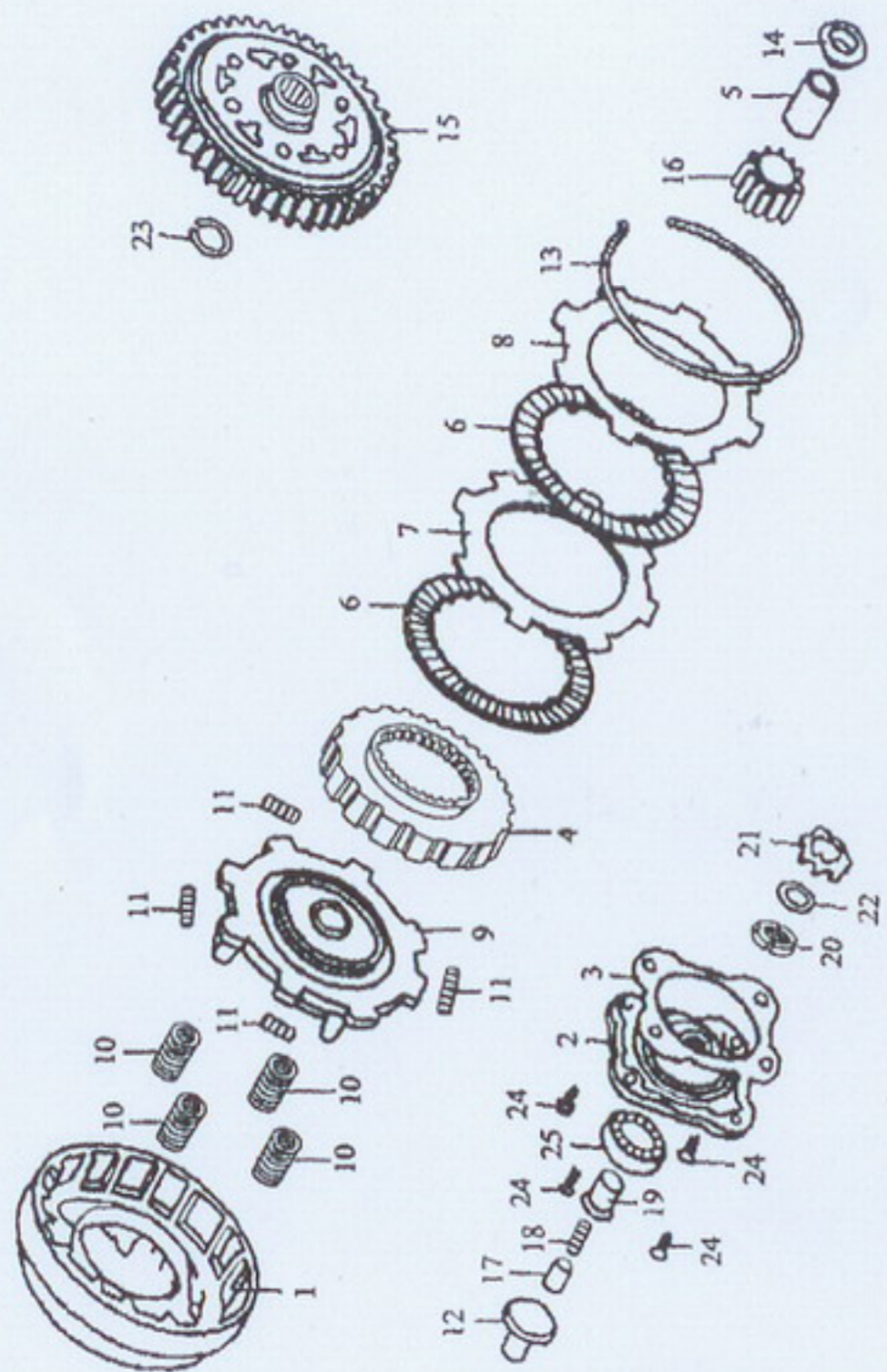
E-3 CRANKCASE/OIL PUMB 曲轴箱/机油泵

REF. NO.	PART NO.	名称	DESCRIPTION	Q'TY
1	C125X. 11200	右曲轴箱体组件	Crankcase comp., R.	1
2	T110. 11001	曲轴箱密封垫	Gasket, crankcase	1
3	C125X. 11100	左曲轴箱体组件	Crankcase comp., L.	1
4	T110. 15100	油泵组件	Oil pump comp.	1
5	T110. 15001	油泵密封垫	Oil pumb body, gasket	1
6	100. 11020	定位销 8 × 12	Pin 8 × 12	2
7	GB819	螺钉 M6 × 30	Screw M6 × 30	2
8	GB819	螺钉 M6 × 25	Screw M6 × 25	1
9	100. 11002	机油过滤网组件	Fillter screen assy.	1
10	C125. 11005	气缸双头螺栓 A 栓 M7 × 194	Bolta, cylinder stud M7 × 194	2
11	C125. 11006	气缸双头螺栓 B 栓 M7 × 202	Bolta, cylinder stud M7 × 202	2
12	100. 11008	通气管	Tube, Breather	1
13	100. 11004	定位销 10 × 14	PIN 10 × 14	2
14	100. 11012	铝垫圈 12 × 20 × 2	Washer 12 × 20 × 2	1
15	100. 11011	放油螺栓	Bolt, drain plug	1
16	100. 11007	管夹	Clip, tube	1
17	100. 11015	油封 11.6 × 24 × 10	Oil seal 11.6 × 24 × 10	1
18	GB5787	螺栓 M6 × 50	Bolt M6 × 50	1
19	GB5787	螺栓 M6 × 60	Bolt M6 × 60	2
20	GB5787	螺栓 M6 × 65	Bolt M6 × 65	4

E-6 RIGHT CRANKCASE COVER 右曲轴箱盖

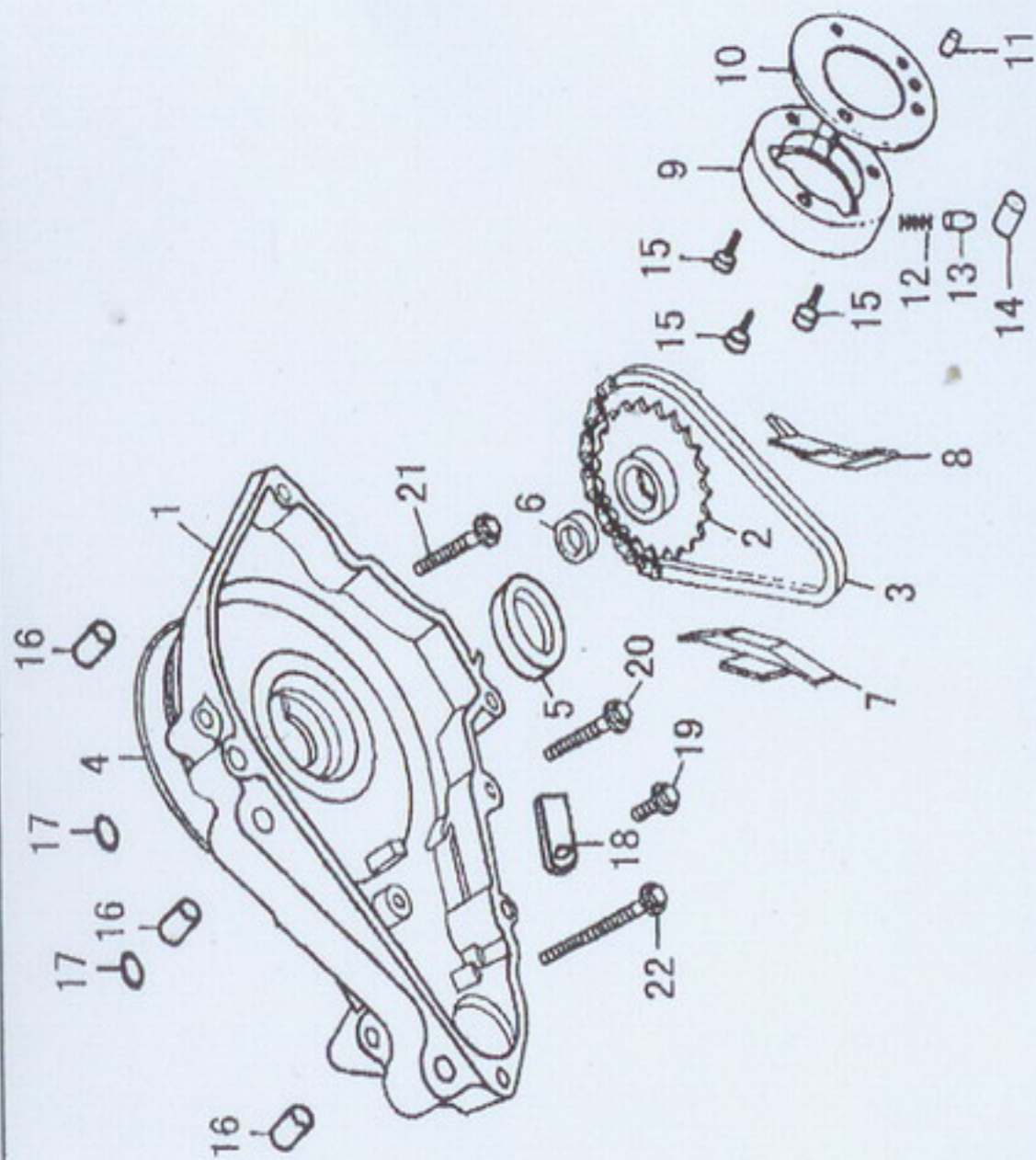
REF. NO.	PART NO.	名称	DESCRIPTION	Q'TY
1	100.11401	右曲轴箱盖	R. crankcase cover	1
2	T110.11019	右曲轴箱盖密封垫	Airproof mat, R. crankcase cover	1
3	100.11408	右装饰盖	Cover	1
4	100.11020	定位销 8 × 12	pin 8 × 12	2
5	100.11402	机油标尺	Guage oil lever	1
6	100.11410	离合器凸轮轴组件	Clutch camshaft set	1
7	100.11411	离合器凸轮轴弹簧	Clutch camshaft spring	1
8	100.11414	离合器凸轮轴定位销	Clutch camshaft position pin	1
9	100.11416	离合器拨板	Clutch dial plank	1
10	100.11415	离合器压板	Clutch press plank	1
11	100.11420	调整螺钉	Adjust screw	1
12	100.11418	油封 12 × 21 × 4	Oil seal 12 × 21 × 4	1
13	100.11409	油封 13.7 × 24 × 5	Oil seal 13.7 × 24 × 5	1
14	100.11419	O型密封圈 14 × 1.5	O-ring 14 × 1.5	1
15	100.11403	O型密封圈 18 × 3	O-ring 18 × 3	1
16	GB819	螺钉 M6 × 16	Screw M6 × 16	1
17	GB819	螺钉 M6 × 20	Screw M6 × 20	2
18	GB6170	螺母 M6	Nut M6	1
19	GB5787	螺栓 M6 × 40	Bolt M6 × 40	5
20	GB5787	螺栓 M6 × 55	Bolt M6 × 55	2
21	GB5787	螺栓 M6 × 65	Bolt M6 × 65	1





E-7 CLUTCH 离合器

REF. NO.	PART NO.	名称	DESCRIPTION	Q'TY
1	100.21207	离合器外罩	Clutch outer cover	1
2	100.21015	离合器端盖	Clutch end cover	1
3	100.21016	离合器端盖密封垫	Airproof mat	1
4	100.21208	主动齿轮外套	Initiative gear outer set	1
5	100.13002	轴套	Shaft sheath	1
6	100.21202	摩擦盘	Friction tray	2
7	100.21203	离合器下板	Clutch below plank	1
8	W125.21201	离合器上板	Clutch upper plank	1
9	100.21206	主动盘	Initiative tray	1
10	W125.21205	弹簧	Spring	4
11	100.21212	离合器减震簧	Clutch shock absorption spring	4
12	100.21012	离合器推杆组件	Clutch handspike	1
13	100.24118	弹性挡圈	Spring circlip	1
14	100.21004	隔套	Ferrule	1
15	100.21300	初级从动齿轮	Driven gear	1
16	100.13001	初级主动齿轮	Initiative gear	1
17	100.21017	通油管	Through oil tube	1
18	100.21018	通油套管弹簧	Spring	1
19	100.21023	通油套管	Bushing	1
20	100.21003	圆螺母 M14 × 1	Nut M14 × 1	1
21	100.21005	止退垫圈	Washer	1
22	100.21002	碟形垫圈 14	Washer 14	1
23	100.21008	挡圈	Circlip	1
24	GB819	螺钉 M5 × 12	Screw	4
25	GB292	轴承 6000	Bearing 6000	1

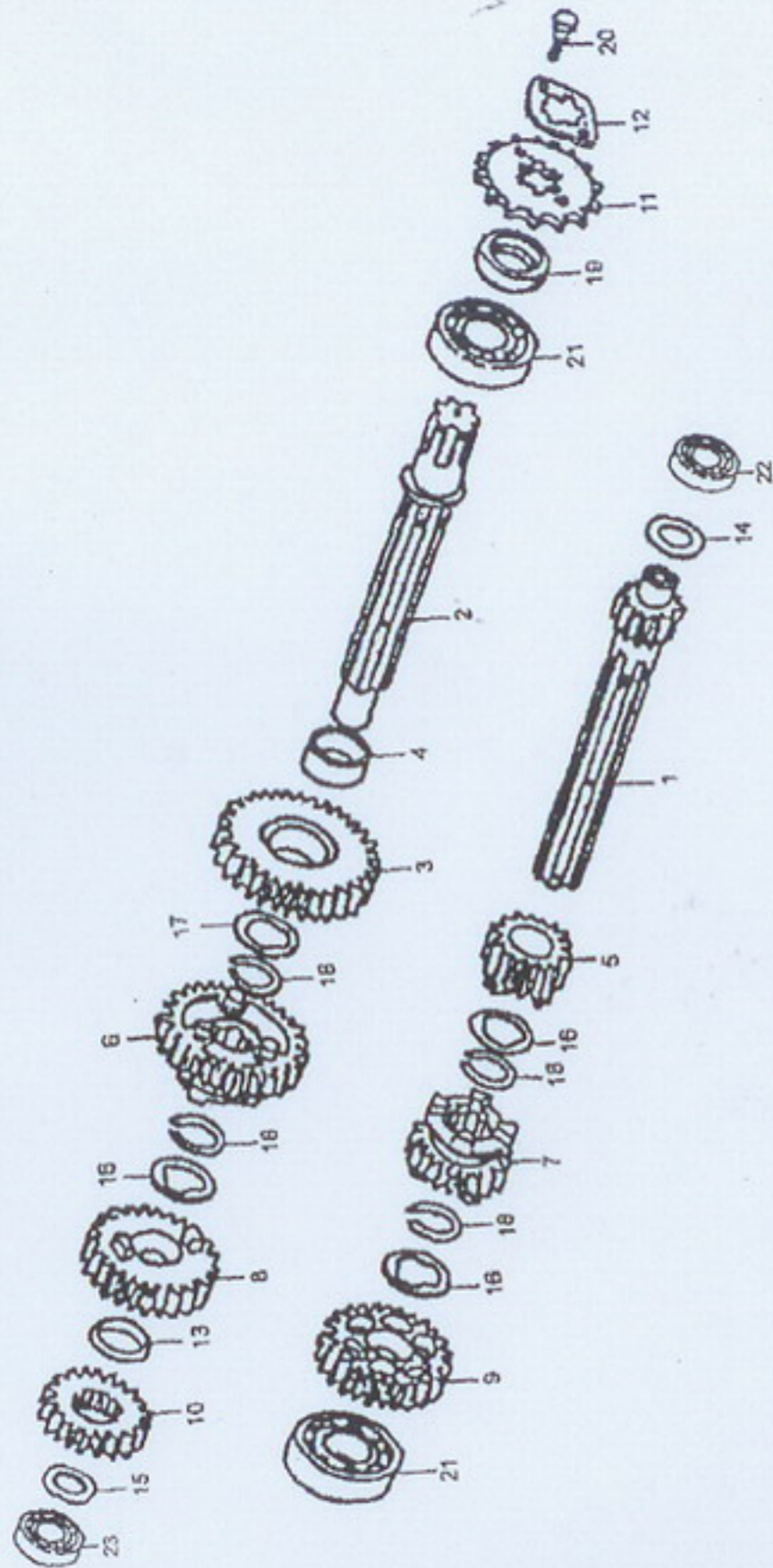


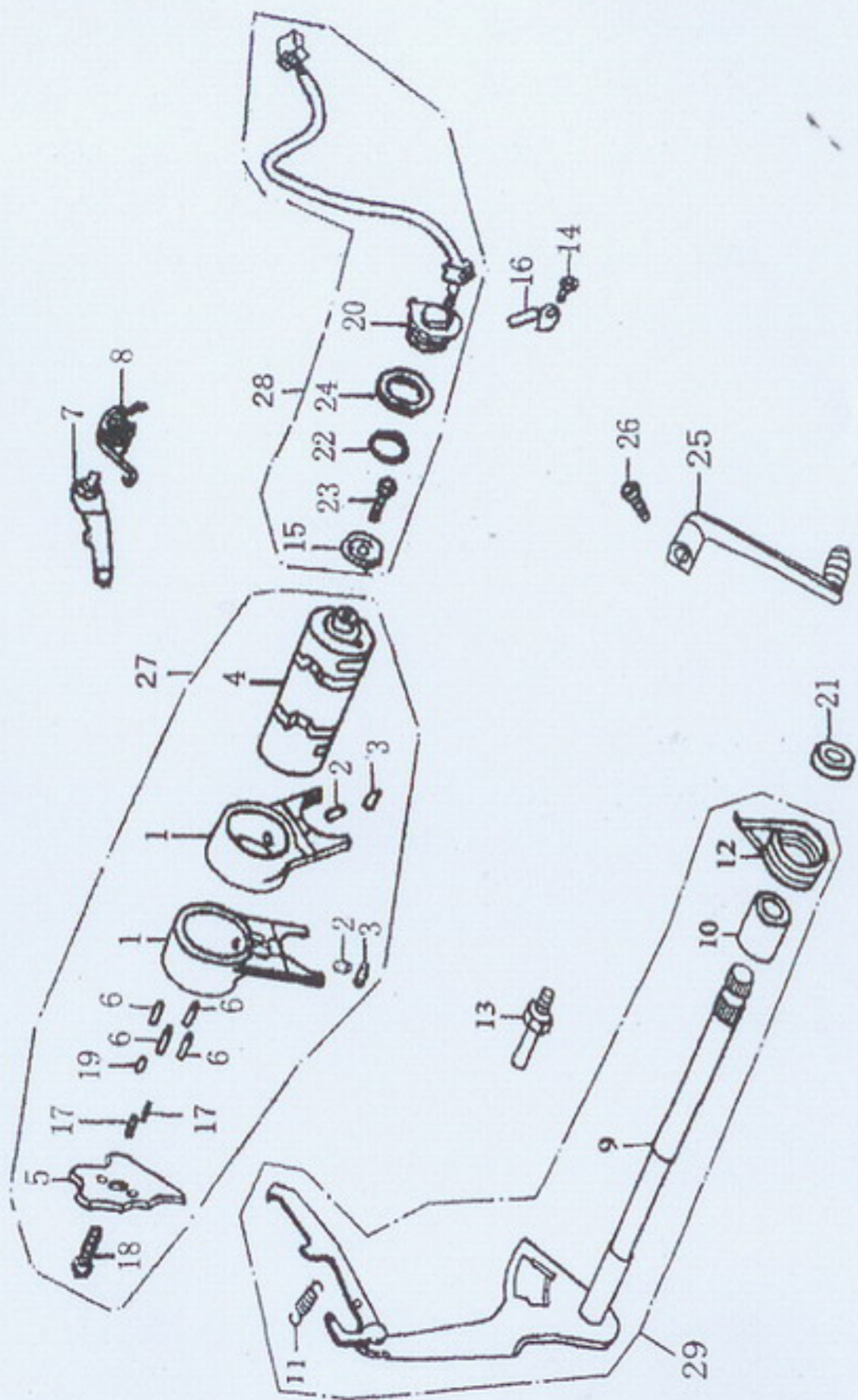
E-9 STARTING CLUCT 起动离合器

REF. NO.	PART NO.	名称	DESCRIPTION	Q'TY
1	100X. 31002	左体支撑板	Plate, oil separate	1
2	100X. 24600	起动链轮组件	Sprocket comp, starting	1
3	100. 24400	起动链条	Chain, starting	1
4	100. 31004	O形密封圈 107 × 2	O-ring 107 × 2	1
5	100. 31003	油封 30 × 42 × 4.5	Oil seal 30 × 42 × 4.5	1
6	100. 31001	油封 18.9 × 30 × 5	Oil seal 18.9 × 30 × 5	1
7	100X. 24004	起动链条导向板	Guide, starter chain	1
8	100X. 24005	起动链条护板	Protector, stater chain	1
9	100. 24500	起动离合器壳组件	Outer, starting clutch	1
10	100. 24507	起动离合器侧板	Side plate, starting clutch	1
11	100. 24508	定位销 5 × 11.8	Pin 5 × 11.8	1
12	100. 24502	滚柱弹簧	Spring, roller cylinder	3
13	100. 24503	弹簧帽	Spring cap	3
14	100. 24504	滚柱 10 × 10	Roller cylinder 10 × 10	3
15	GB70	内六角螺栓 M6 × 16	Blot M6 × 16	3
16	100. 11020	定位销 8 × 12	Pin 8 × 12	3
17	100. 31007	O形密封圈 6.8 × 1.8	O-ring 6.8 × 1.8	2
18	100. 24006	链轮压板	Plate, starting sprocket seting	1
19	GB5787	螺栓 M6 × 10	Blot M6 × 10	1
20	GB5787	螺栓 M6 × 37	Blot M6 × 37	1
21	GB5787	螺栓 M6 × 28	Blot M6 × 28	1
22	GB5787	螺栓 M6 × 105	Blot M6 × 105	1

E-13 TRANSMISSION DEVICE 主副轴

REF. NO.	PART NO.	名称	DESCRIPTION	Q'TY
1	S100.22101	传动主轴	Driving principal axis	1
2	S100.22201	传动副轴	Driving countershaft	1
3	S100.22203	副轴1档齿轮	Gear	1
4	S100.22213	齿轮套	Gear sheath	1
5	S100.22104	主轴2档齿轮	Gear	1
6	S100.22204	副轴2档齿轮	Spline driven gear	1
7	S100.22105	主轴3档齿轮	Spline driveing gear	1
8	S100.22205	副轴3档齿轮	Gear	1
9	S100.22106	主轴4档齿轮	Gear	1
10	S100.22206	副轴4档齿轮	Spline gear	1
11	100.22001	主动齿轮	Driveing gear	1
12	100.22002	主动链轮固定板	Initiative chain driver rivet plank	1
13	100.22214	垫圈	Washer	1
14	100.22212	止推垫圈	Washer	1
15	100.22215	止推垫圈	Washer	1
16	100.22108	花键垫圈	Washer	3
17	100.22109	花键垫圈	Washer	1
18	100.22110	挡圈	Clip	4
19	100.11014	油封 17 × 29 × 5	Oil seal 17 × 29 × 5	1
20	GB5783	螺栓 M6 × 8	Bolt M6 × 8	2
21	GB292	轴承 6203	Bearing 6203	2
22	GB292	轴承 6001	Bearing 6001	1
23	GB292	轴承 6201	Bearing 6201	1





E-14 GEARSHIFT SETUP 变速机构

REF. NO.	PART NO.	名称	DESCRIPTION	Q'TY
1	100.23102	齿轮拨叉	Gear fork	2
2	100.23106	导向销	Pin	2
3	100.23107	弹簧夹	Spring clip	2
4	100.23101-2	变速鼓	Drum	1
5	100.23002-2	变档拨板	Plate gearshift drum stopper	1
6	100.23108	变速鼓拨销	Pin	4
7	C100.23300	定位板组件	Shift drum position set	1
8	C100.23001	定位板弹簧	Spring	1
9	100.23200B	变档轴	Shift arm assy	1
10	100.23209	衬套	Sheath	1
11	100.23204	变档臂拉簧	Spring	1
12	100.23206	复位弹簧	Spring	1
13	100.11016	复位弹簧定位螺栓	Bolt	1
14	GB818	螺钉 M6 × 12	Screw M6 × 12	1
15	100.31301	档显接触片	Gear position contact pice	1
16	100.11010	档显压板	Gear position press plate	1
17	GB119	定位销 3 × 8.5	Pin 3 × 8.5	2
18	100.23210	螺栓 M6 × 16	Bolt M6 × 16	1
19	GB119	定位销 4 × 10	Pin 4 × 10	1
20	100.31302-2	档显线束	Gear position wiring harness	1
21	100.11015	油封 11.6 × 24 × 10	Oil seal 11.6 × 24 × 10	1
22	100.31304	O型圈 14 × 1.7	O-ring 14 × 1.7	1
23	GB70	内六角螺栓 M6 × 16	Bolt M6 × 16	1
24	100.31305	档显胶垫	Rubber gasket	1

